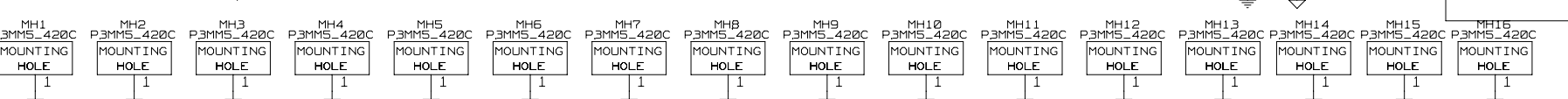
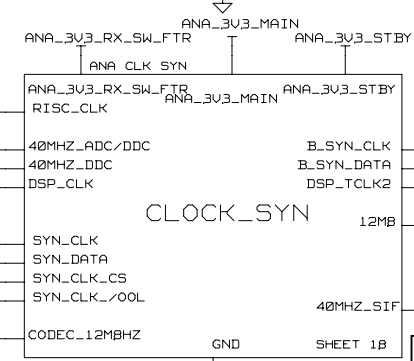
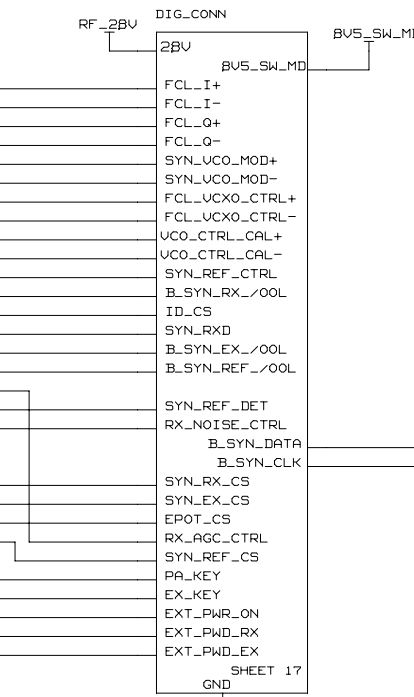
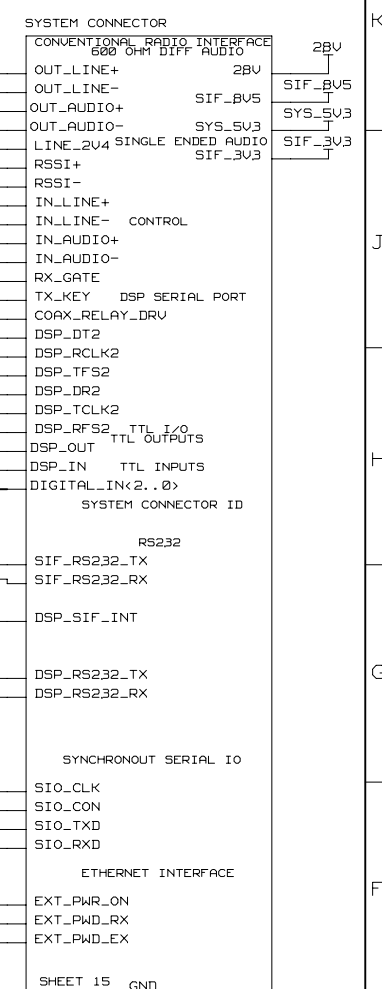
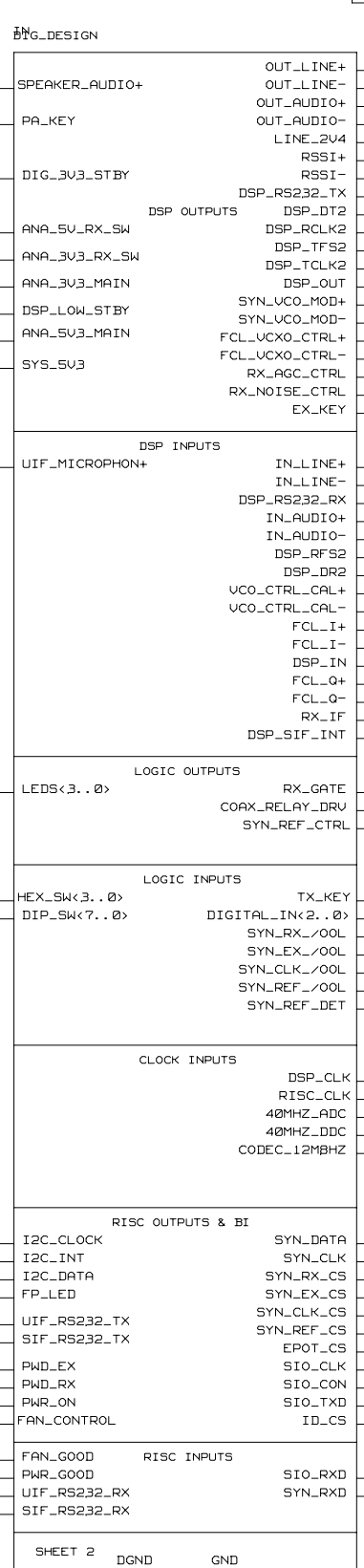
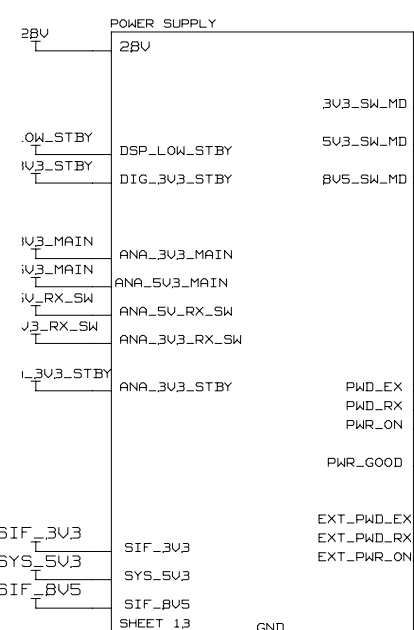
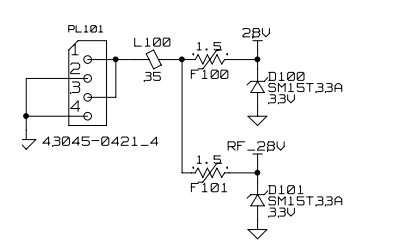
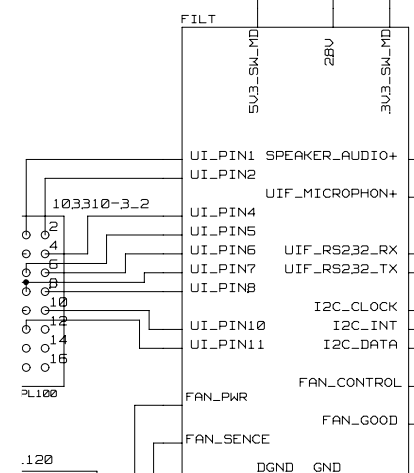
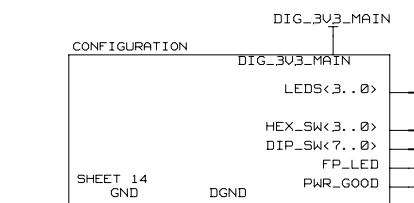
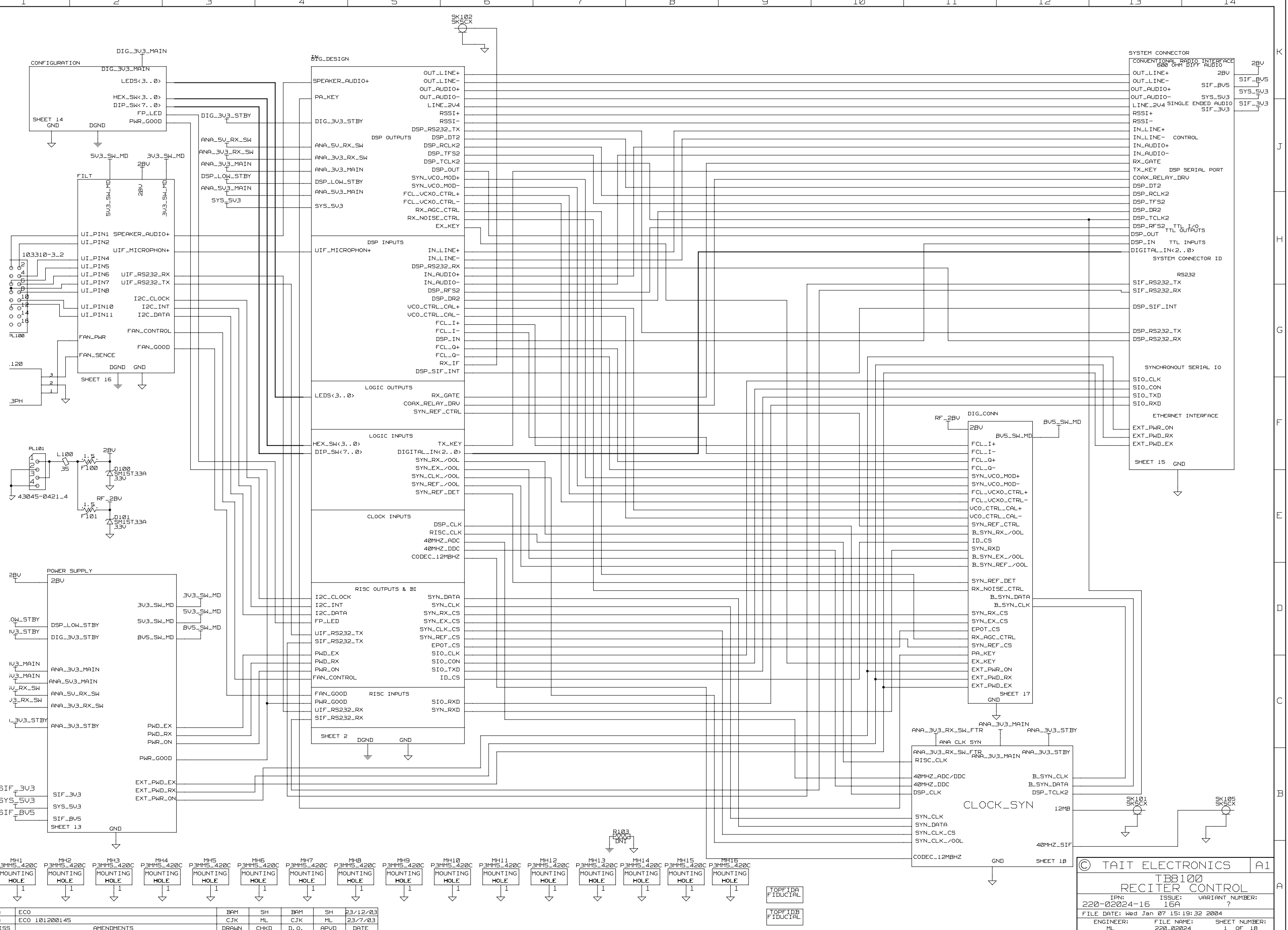


Created by Nevia Personal Converter trial version <http://www.nevia.com>



| | | | | | | | |
|---------|-----|------------|-------|------|-------|------|----------|
| 16A | ECO | | BAM | SH | BAM | SH | 23/12/03 |
| 14A | ECO | 101200145 | CJK | ML | CJK | ML | 23/7/03 |
| REV/ISS | | AMENDMENTS | DRAWN | CHKD | D. O. | APVD | DATE |

© TAIT ELECTRONICS | A1

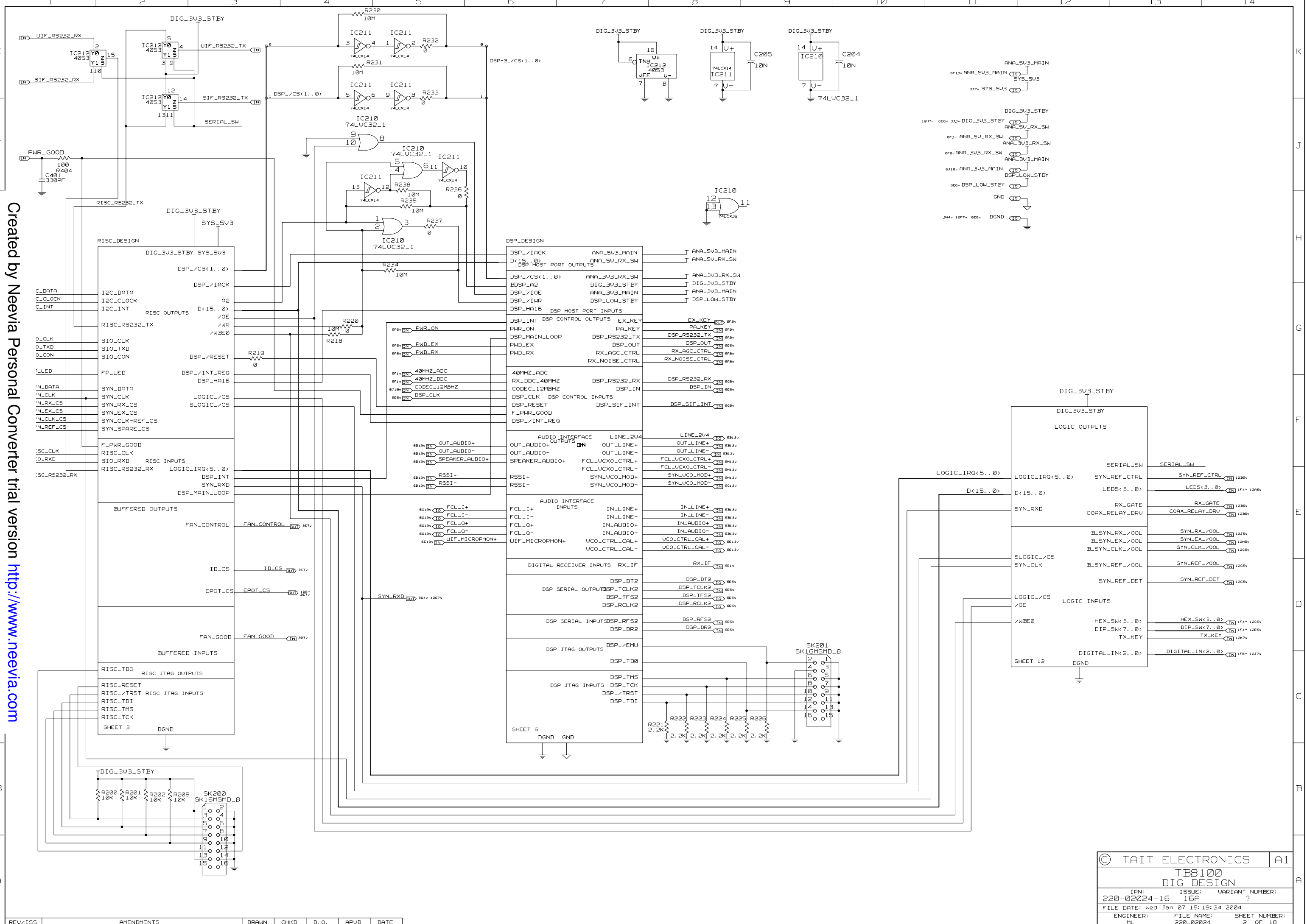
T88100 RECITER CONTROL

IPN: 220-02024-16 | ISSUE: 16A | VARIANT NUMBER: ?

FILE DATE: Wed Jan 07 15:19:32 2004

ENGINEER: ML | FILE NAME: 220_02024 | SHEET NUMBER: 1 OF 1B

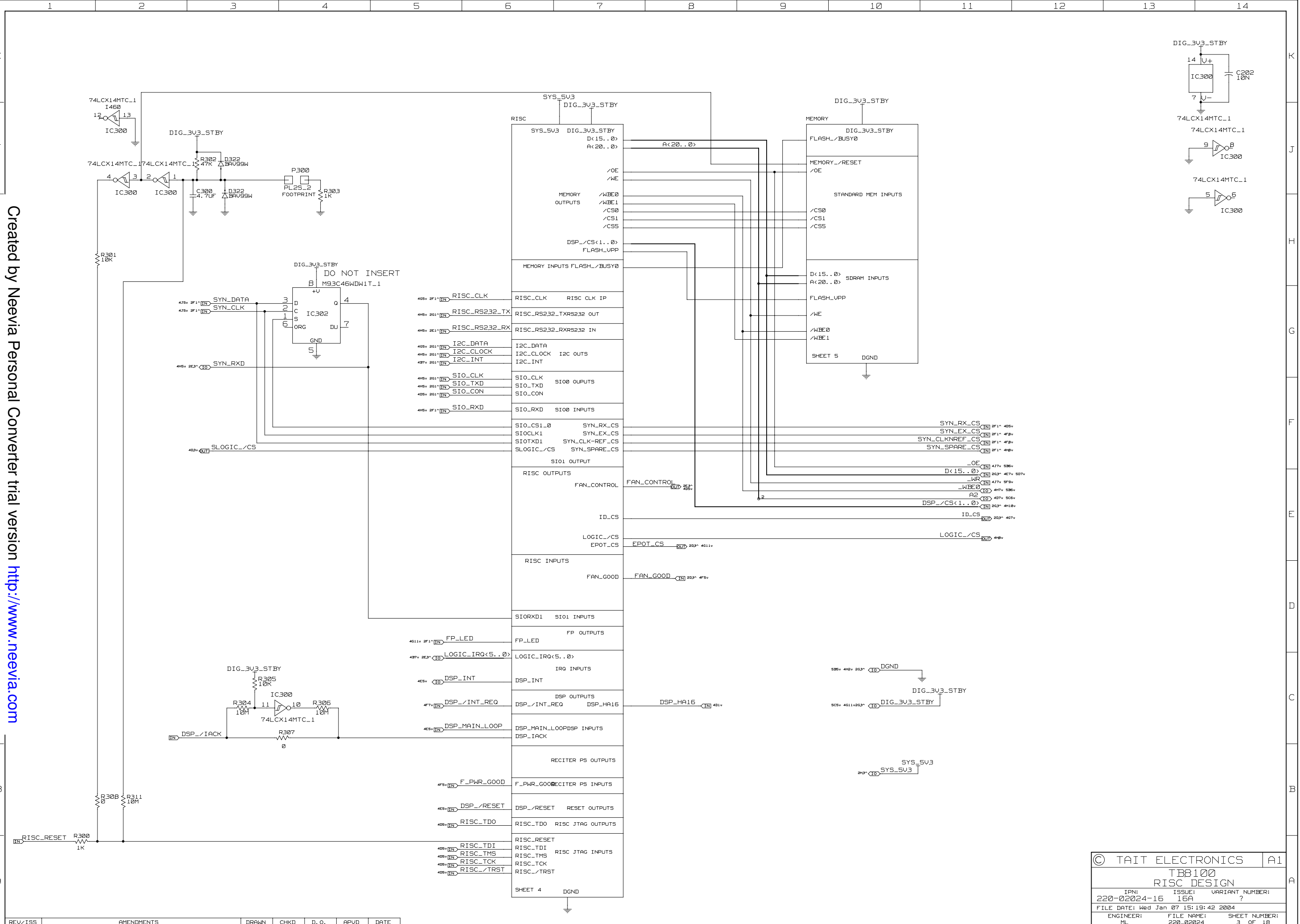
Created by Nevia Personal Converter trial version <http://www.nevia.com>



| | | |
|-------------------------------------|------------|-----------------|
| © TAIT ELECTRONICS | | A1 |
| TB8100 | | |
| DIG DESIGN | | |
| IPN: | ISSUE: | VARIANT NUMBER: |
| 220-02024-16 | 16A | ? |
| FILE DATE: Wed Jan 07 15:19:34 2004 | | |
| ENGINEER: | FILE NAME: | SHEET NUMBER: |
| ML | 220_02024 | 2 OF 18 |

| REV/ISS | AMENDMENTS | DRAWN | CHKD | D. O. | APVD | DATE |
|---------|------------|-------|------|-------|------|------|
| 1 | | | | | | |
| 2 | | | | | | |
| 3 | | | | | | |
| 4 | | | | | | |
| 5 | | | | | | |
| 6 | | | | | | |
| 7 | | | | | | |
| 8 | | | | | | |
| 9 | | | | | | |
| 10 | | | | | | |
| 11 | | | | | | |
| 12 | | | | | | |
| 13 | | | | | | |
| 14 | | | | | | |

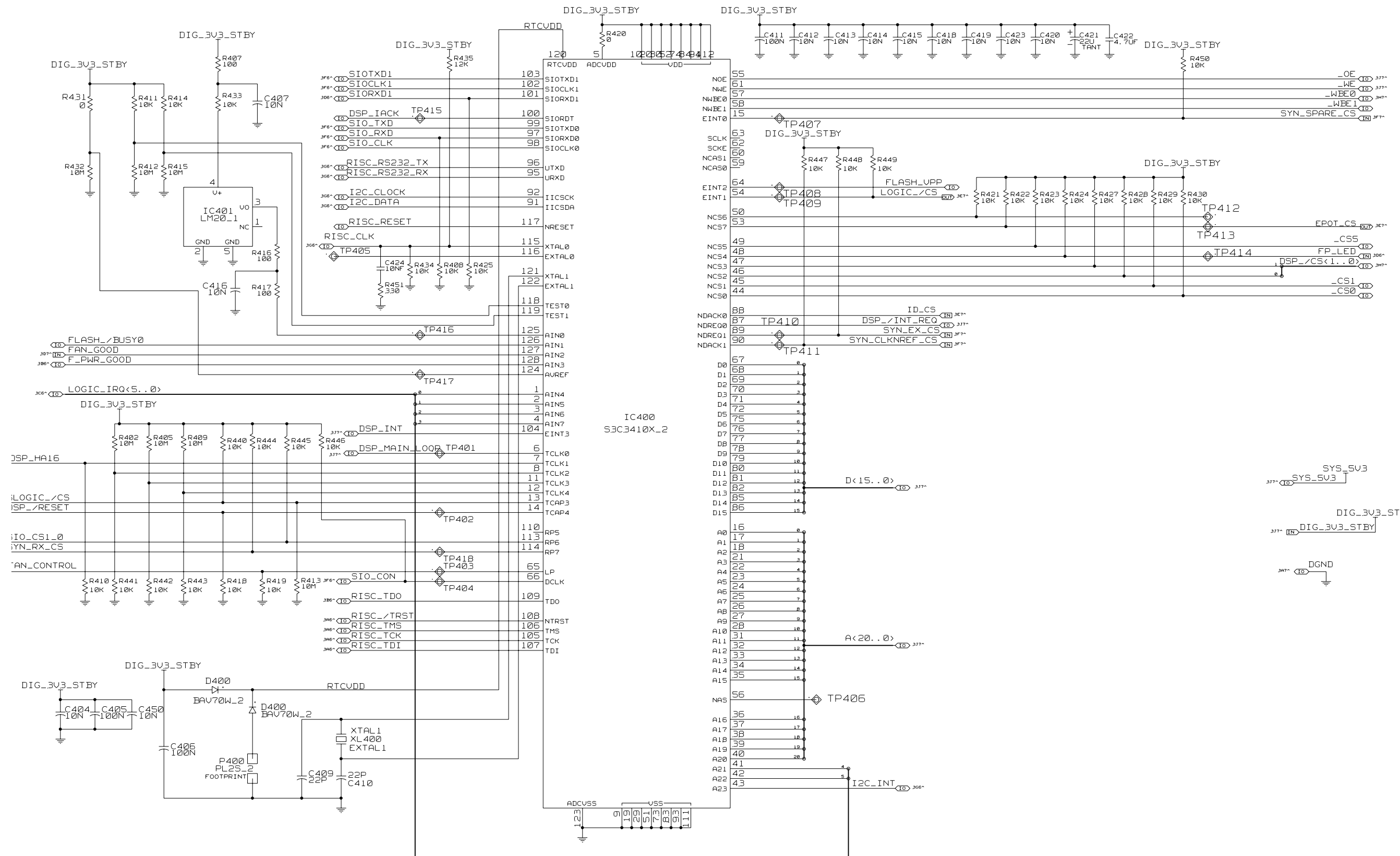
Created by Nevia Personal Converter trial version <http://www.nevia.com>



| | | |
|-------------------------------------|----------------------|-----------------------|
| © TAIT ELECTRONICS | | A1 |
| TB8100 RISC DESIGN | | |
| IPN: 220-02024-16 | ISSUE: 16A | VARIANT NUMBER: ? |
| FILE DATE: Wed Jan 07 15:19:42 2004 | | |
| ENGINEER: ML | FILE NAME: 220_02024 | SHEET NUMBER: 3 OF 18 |

| REV/ISS | AMENDMENTS | DRAWN | CHKD | D. O. | APVD | DATE |
|---------|------------|-------|------|-------|------|------|
| 1 | | | | | | |
| 2 | | | | | | |
| 3 | | | | | | |
| 4 | | | | | | |
| 5 | | | | | | |
| 6 | | | | | | |
| 7 | | | | | | |
| 8 | | | | | | |
| 9 | | | | | | |
| 10 | | | | | | |
| 11 | | | | | | |
| 12 | | | | | | |
| 13 | | | | | | |
| 14 | | | | | | |

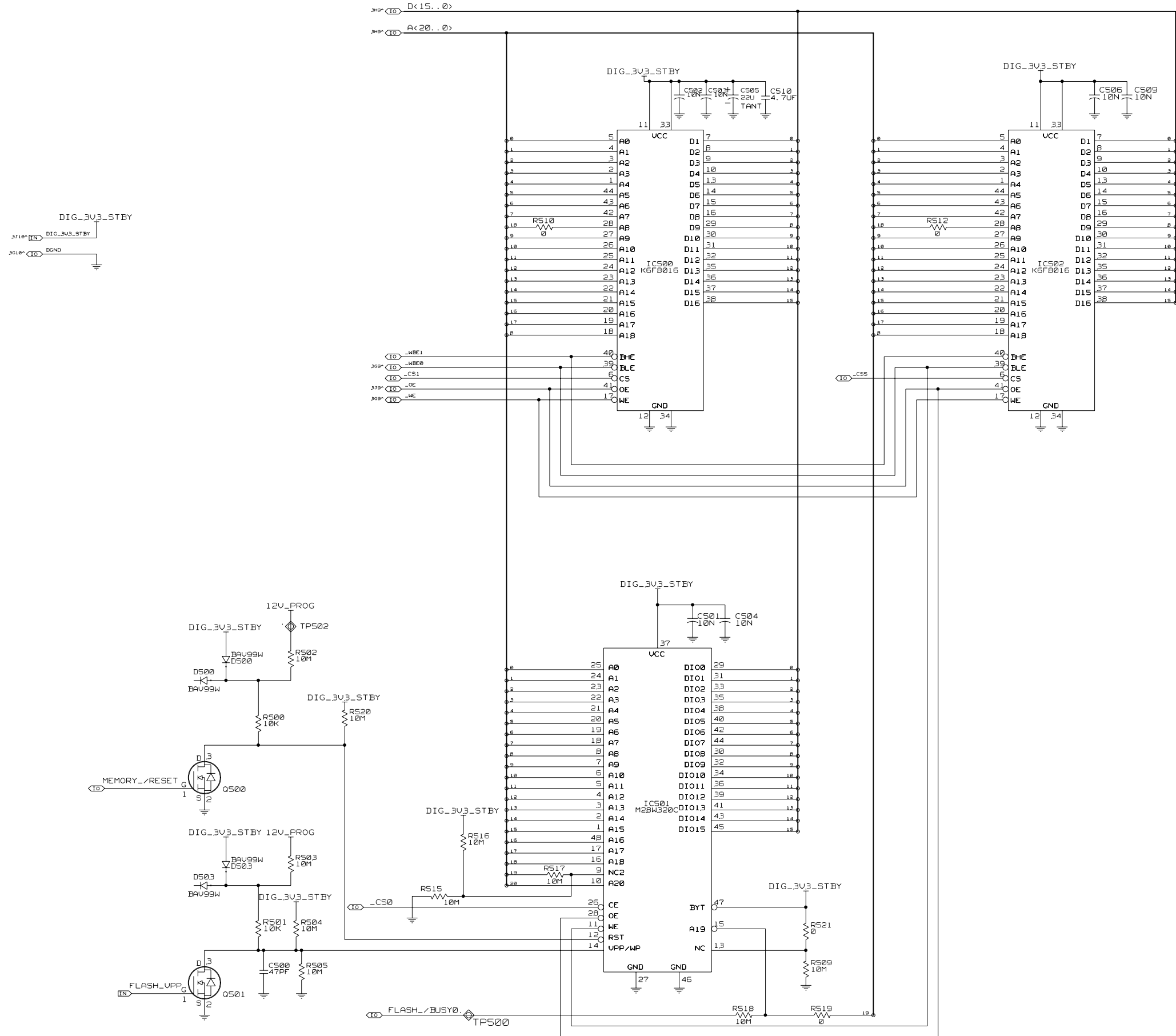
Created by Nevia Personal Converter trial version <http://www.nevia.com>



| | | |
|-------------------------------------|----------------------|-----------------------|
| © TAIT ELECTRONICS | | A1 |
| TB8100 RISC | | |
| IPN: 220-02024-16 | ISSUE: 16A | VARIANT NUMBER: ? |
| FILE DATE: Wed Jan 07 15:19:45 2004 | | |
| ENGINEER: ML | FILE NAME: 220_02024 | SHEET NUMBER: 4 OF 18 |

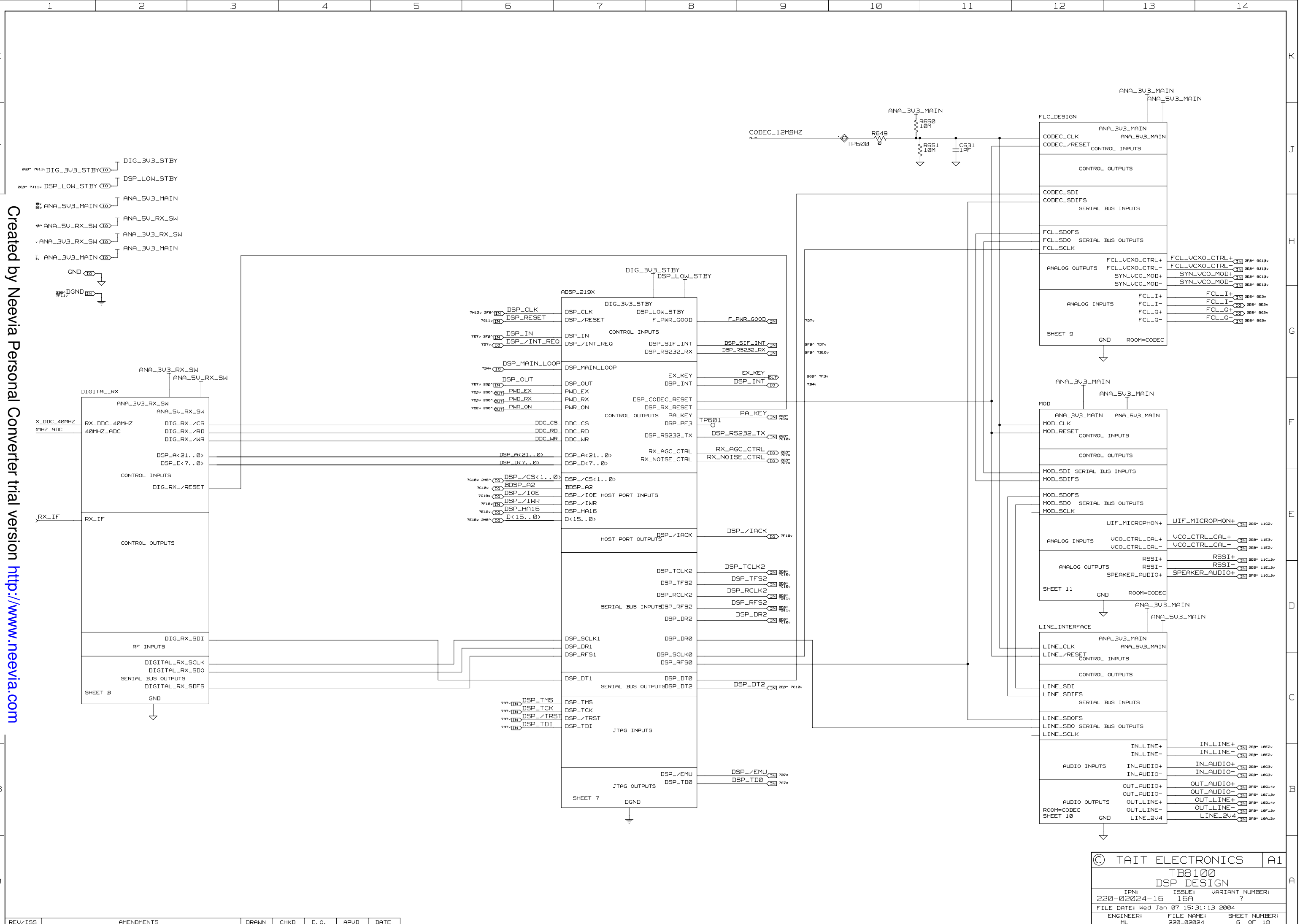
| REV/ISS | AMENDMENTS | DRAWN | CHKD | D. O. | APVD | DATE |
|---------|------------|-------|------|-------|------|------|
| 1 | | | | | | |
| 2 | | | | | | |
| 3 | | | | | | |
| 4 | | | | | | |
| 5 | | | | | | |

Created by Nevia Personal Converter trial version <http://www.nevia.com>



| | | |
|-------------------------------------|-------------------------|--------------------------|
| © TAIT ELECTRONICS | | A1 |
| T88100 MEMORY | | |
| IPN: 220-02024-16 | ISSUE: 16A | VARIANT NUMBER: ? |
| FILE DATE: Wed Jan 07 15:19:46 2004 | | |
| ENGINEER: ML | FILE NAME: 220_02024 | SHEET NUMBER: 5 OF 18 |

| REV./ISS | AMENDMENTS | DRAWN | CHKD | D. O. | APVD | DATE |
|----------|------------|-------|------|-------|------|------|
| 1 | | | | | | |
| 2 | | | | | | |
| 3 | | | | | | |
| 4 | | | | | | |
| 5 | | | | | | |

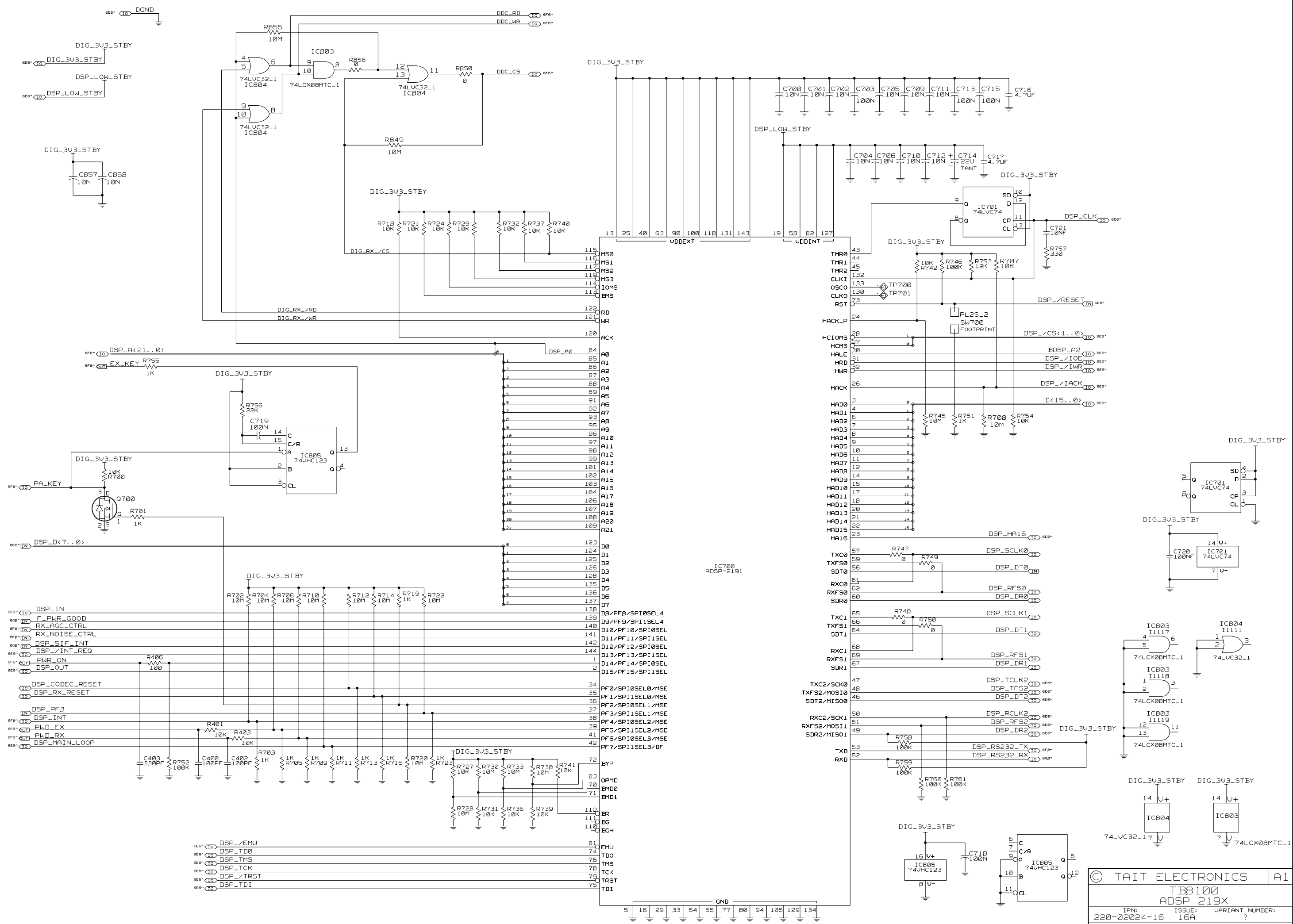


Created by Nevia Personal Converter trial version <http://www.nevia.com>

| | | |
|-------------------------------------|-------------------------|--------------------------|
| © TAIT ELECTRONICS | | A1 |
| TB8100 DSP DESIGN | | |
| IPN: 220-02024-16 | ISSUE: 16A | VARIANT NUMBER: ? |
| FILE DATE: Wed Jan 07 15:31:13 2004 | | |
| ENGINEER: ML | FILE NAME: 220_02024 | SHEET NUMBER: 6 OF 18 |

| REV./ISS | AMENDMENTS | DRAWN | CHKD | D. O. | APVD | DATE |
|----------|------------|-------|------|-------|------|------|
| 1 | | | | | | |
| 2 | | | | | | |
| 3 | | | | | | |
| 4 | | | | | | |
| 5 | | | | | | |
| 6 | | | | | | |
| 7 | | | | | | |
| 8 | | | | | | |
| 9 | | | | | | |
| 10 | | | | | | |
| 11 | | | | | | |
| 12 | | | | | | |
| 13 | | | | | | |
| 14 | | | | | | |

Created by Nevia Personal Converter trial version <http://www.nevia.com>



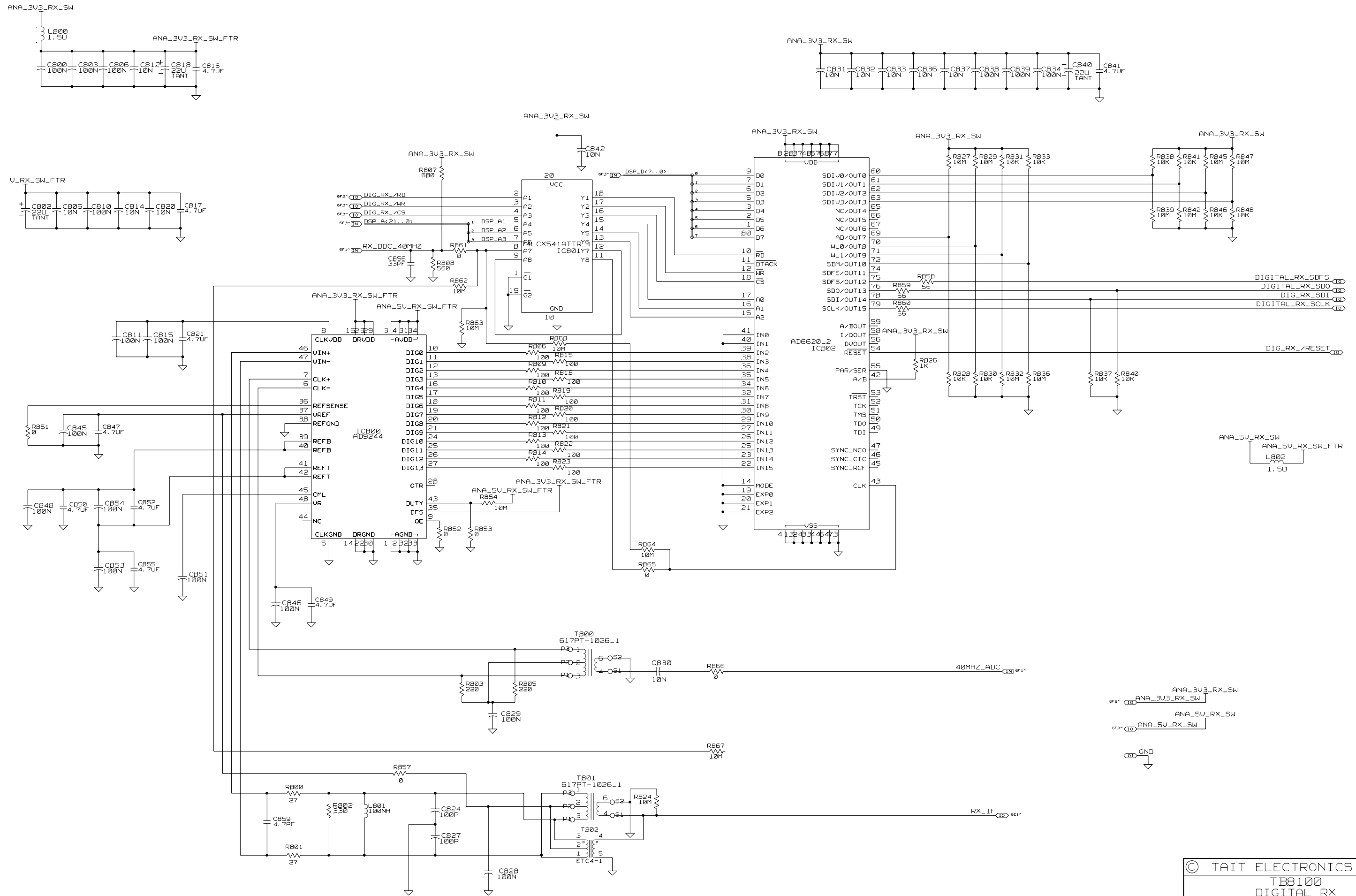
© TAIT ELECTRONICS A1

TB8100
ADSP 219X

| | | |
|-------------------------------------|----------------------|-----------------------|
| IPN: | ISSUE: | VARIANT NUMBER: |
| 220-02024-16 | 16A | ? |
| FILE DATE: Wed Jan 07 15:19:48 2004 | | |
| ENGINEER: ML | FILE NAME: 220_02024 | SHEET NUMBER: 7 OF 18 |

| REV/ISS | AMENDMENTS | DRAWN | CHKD | D. O. | APVD | DATE |
|---------|------------|-------|------|-------|------|------|
| 1 | | | | | | |
| 2 | | | | | | |
| 3 | | | | | | |
| 4 | | | | | | |
| 5 | | | | | | |
| 6 | | | | | | |
| 7 | | | | | | |
| 8 | | | | | | |
| 9 | | | | | | |
| 10 | | | | | | |
| 11 | | | | | | |
| 12 | | | | | | |
| 13 | | | | | | |
| 14 | | | | | | |

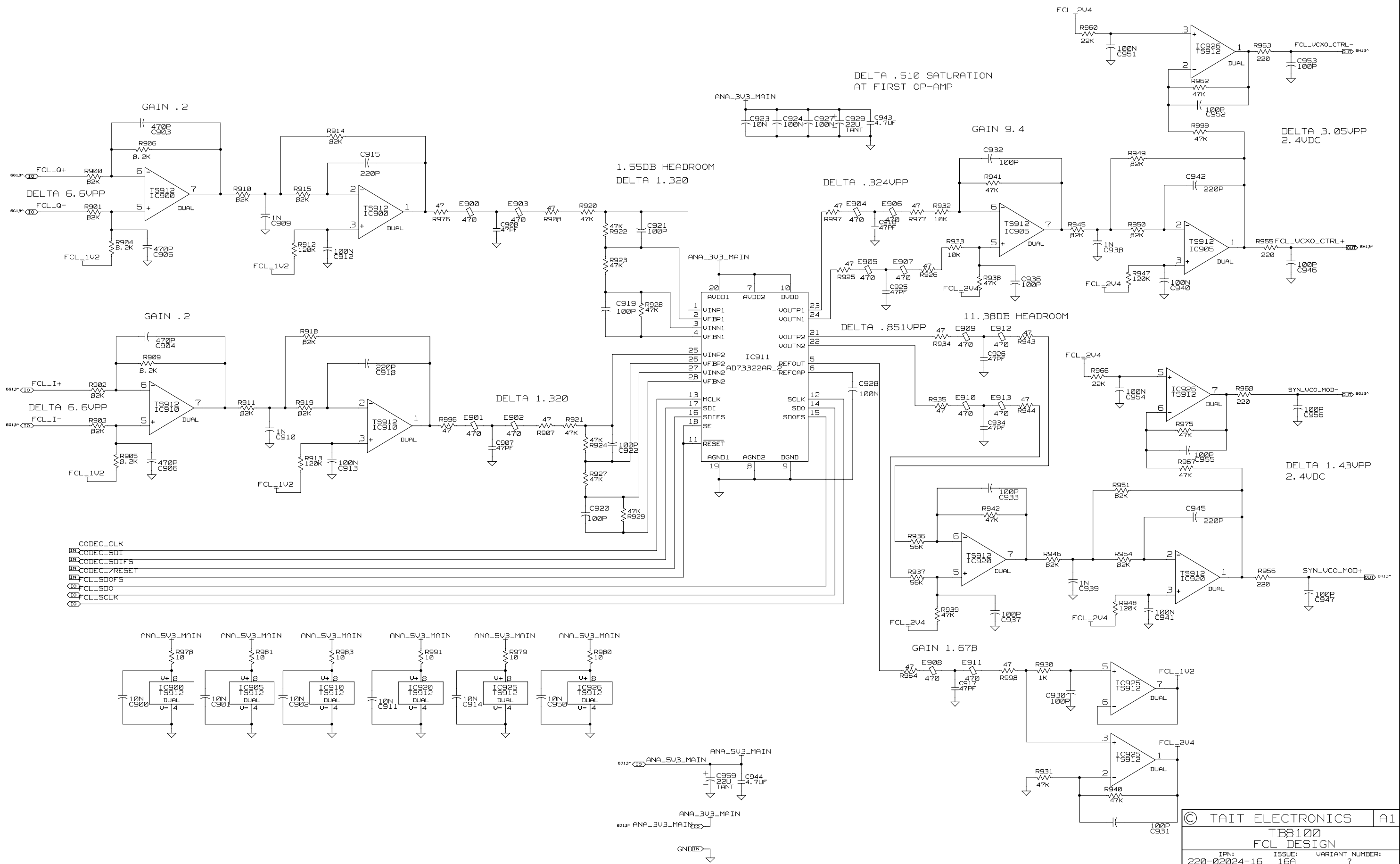
Created by Nevia Personal Converter trial version <http://www.nevia.com>



| | | |
|-------------------------------------|----------------------|-----------------------|
| © TAIT ELECTRONICS | | A1 |
| TB8100 | | |
| DIGITAL RX | | |
| IPN: 220-02024-16 | ISSUE: 16A | VARIANT NUMBER: ? |
| FILE DATE: Wed Jan 07 15:19:49 2004 | | |
| ENGINEER: ML | FILE NAME: 220_02024 | SHEET NUMBER: B OF 18 |

| REV/ISS | AMENDMENTS | DRAWN | CHKD | D. O. | APVD | DATE |
|---------|------------|-------|------|-------|------|------|
| 1 | | | | | | |
| 2 | | | | | | |
| 3 | | | | | | |
| 4 | | | | | | |
| 5 | | | | | | |

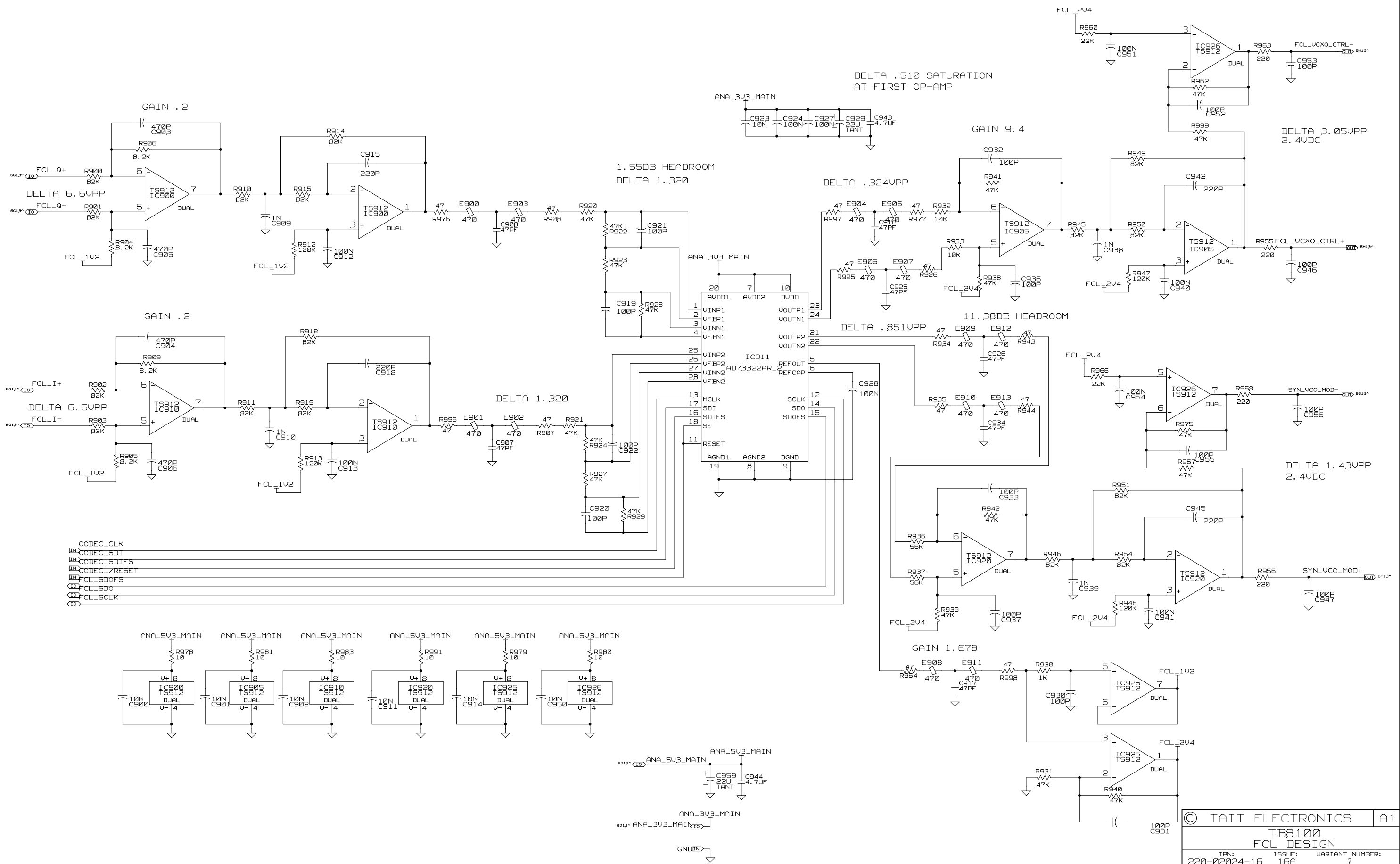
Created by Nevia Personal Converter trial version <http://www.nevia.com>



| | | |
|-------------------------------------|-------------------------|--------------------------|
| © TAIT ELECTRONICS | | A1 |
| TB8100 FCL DESIGN | | |
| IPN: 220-02024-16 | ISSUE: 16A | VARIANT NUMBER: ? |
| FILE DATE: Mon Jan 05 14:54:38 2004 | | |
| ENGINEER: ML | FILE NAME: 220_02024 | SHEET NUMBER: 9 OF 18 |

| REV./ISS | AMENDMENTS | DRAWN | CHKD | D. O. | APVD | DATE |
|----------|------------|-------|------|-------|------|------|
| 1 | | | | | | |
| 2 | | | | | | |
| 3 | | | | | | |
| 4 | | | | | | |
| 5 | | | | | | |
| 6 | | | | | | |
| 7 | | | | | | |
| 8 | | | | | | |
| 9 | | | | | | |
| 10 | | | | | | |
| 11 | | | | | | |
| 12 | | | | | | |
| 13 | | | | | | |
| 14 | | | | | | |

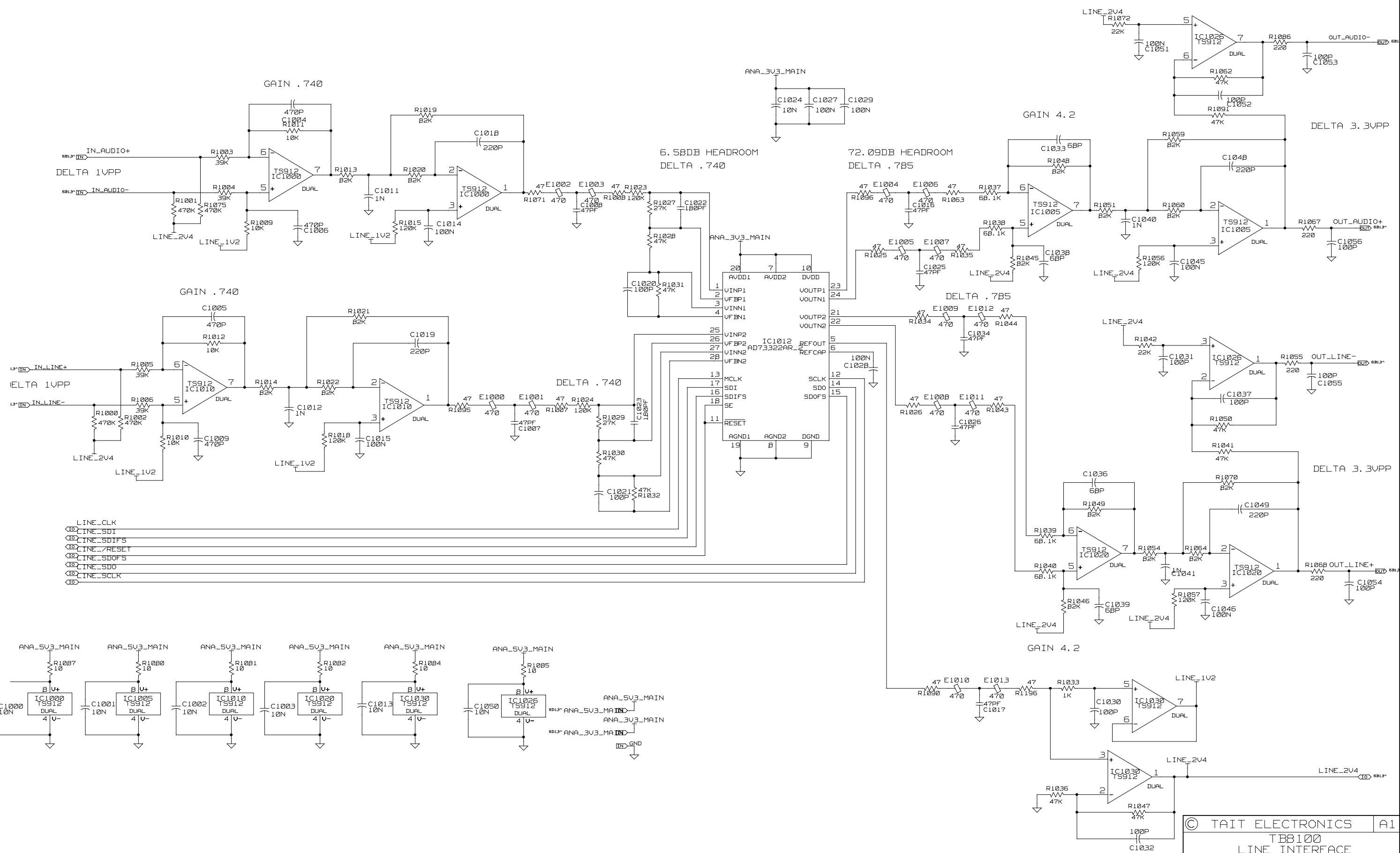
Created by Nevia Personal Converter trial version <http://www.nevia.com>



| | | |
|-------------------------------------|-------------------------|--------------------------|
| © TAIT ELECTRONICS | | A1 |
| TB8100 FCL DESIGN | | |
| IPN: 220-02024-16 | ISSUE: 16A | VARIANT NUMBER: ? |
| FILE DATE: Mon Jan 05 14:54:38 2004 | | |
| ENGINEER: ML | FILE NAME: 220_02024 | SHEET NUMBER: 9 OF 18 |

| REV./ISS | AMENDMENTS | DRAWN | CHKD | D. O. | APVD | DATE |
|----------|------------|-------|------|-------|------|------|
| 1 | | | | | | |
| 2 | | | | | | |
| 3 | | | | | | |
| 4 | | | | | | |
| 5 | | | | | | |
| 6 | | | | | | |
| 7 | | | | | | |
| 8 | | | | | | |
| 9 | | | | | | |
| 10 | | | | | | |
| 11 | | | | | | |
| 12 | | | | | | |
| 13 | | | | | | |
| 14 | | | | | | |

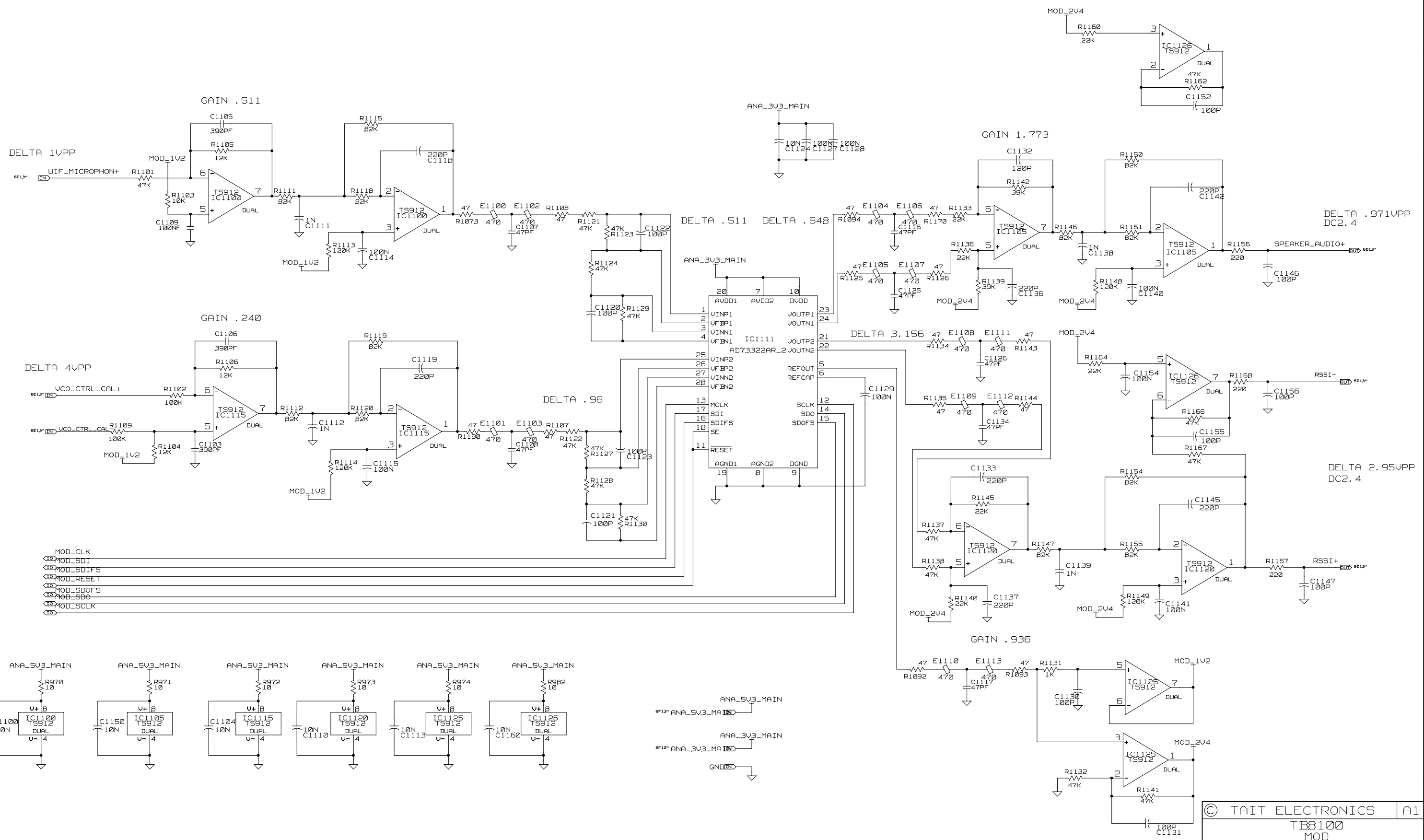
Created by Nevia Personal Converter trial version <http://www.nevia.com>



| REV./ISS | AMENDMENTS | DRAWN | CHKD | D. O. | APVD | DATE |
|----------|------------|-------|------|-------|------|------|
| 1 | | | | | | |
| 2 | | | | | | |
| 3 | | | | | | |
| 4 | | | | | | |
| 5 | | | | | | |
| 6 | | | | | | |
| 7 | | | | | | |
| 8 | | | | | | |
| 9 | | | | | | |
| 10 | | | | | | |
| 11 | | | | | | |
| 12 | | | | | | |
| 13 | | | | | | |
| 14 | | | | | | |

| | | |
|-------------------------------------|----------------------|------------------------|
| © TAIT ELECTRONICS | | A1 |
| TBS100 | | |
| LINE INTERFACE | | |
| IPN: 220-02024-16 | ISSUE: 16A | VARIANT NUMBER: ? |
| FILE DATE: Mon Jan 05 14:54:43 2004 | | |
| ENGINEER: ML | FILE NAME: 220_02024 | SHEET NUMBER: 10 OF 10 |

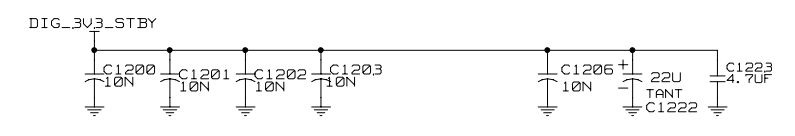
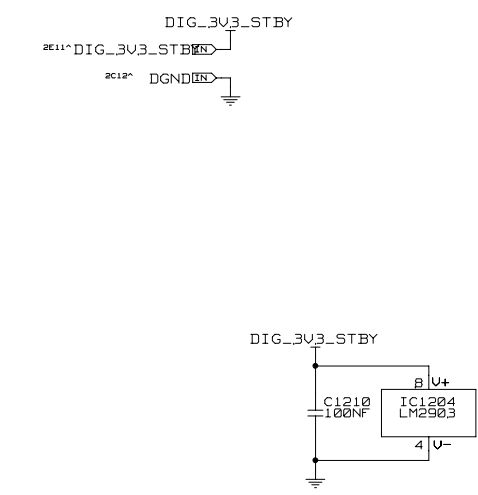
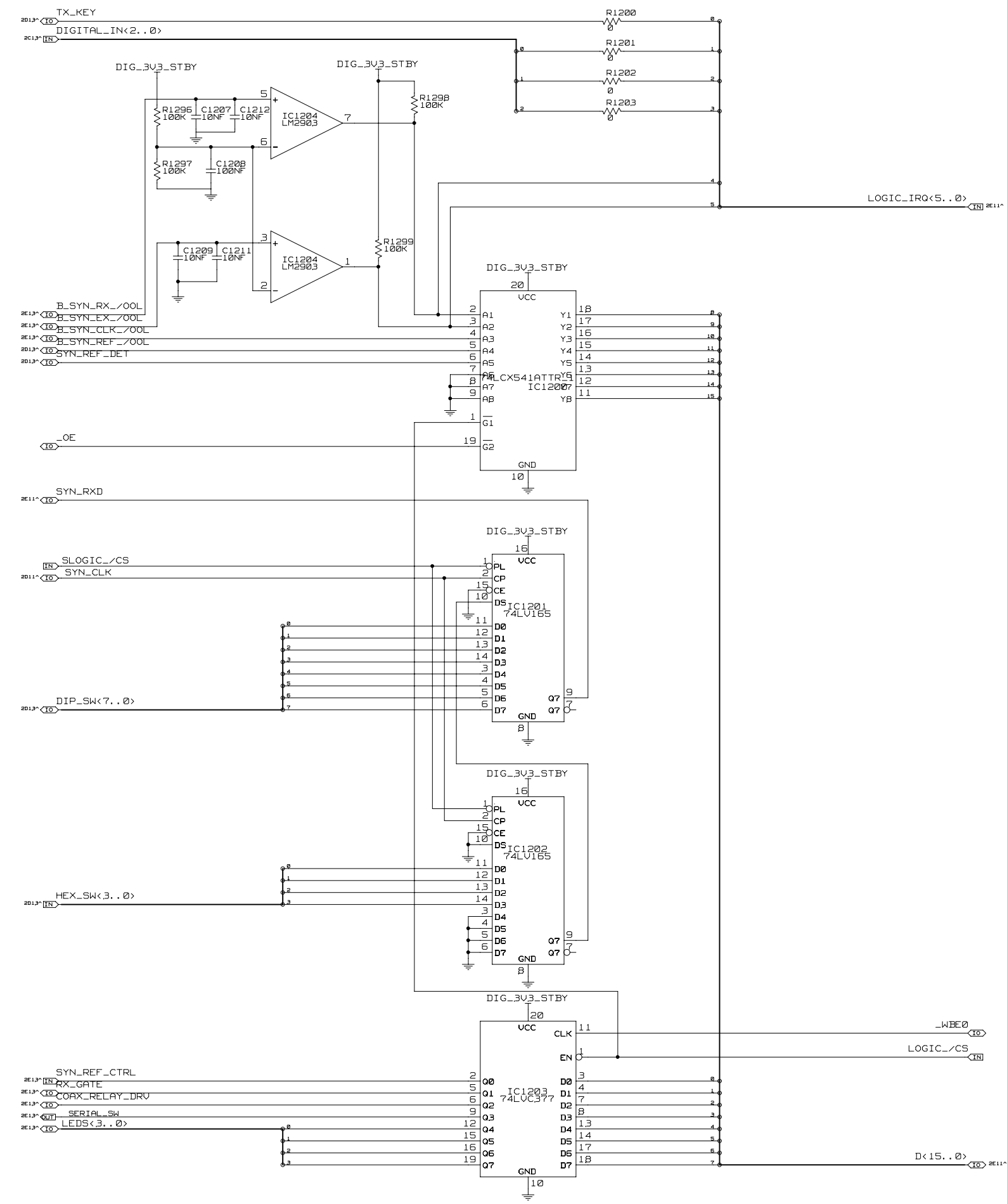
Created by Nevia Personal Converter trial version <http://www.nevia.com>



| | | |
|-------------------------------------|----------------------|------------------------|
| © TAIT ELECTRONICS | | A1 |
| TBS100 MOD | | |
| IPN: 220-02024-16 | ISSUE: 16A | VARIANT NUMBER: ? |
| FILE DATE: Mon Jan 05 14:54:48 2004 | | |
| ENGINEER: ML | FILE NAME: 220_02024 | SHEET NUMBER: 11 OF 18 |

| REV./ISS | AMENDMENTS | DRAWN | CHKD | D. O. | APVD | DATE |
|----------|------------|-------|------|-------|------|------|
| 1 | | | | | | |
| 2 | | | | | | |
| 3 | | | | | | |
| 4 | | | | | | |
| 5 | | | | | | |
| 6 | | | | | | |
| 7 | | | | | | |
| 8 | | | | | | |
| 9 | | | | | | |
| 10 | | | | | | |
| 11 | | | | | | |
| 12 | | | | | | |
| 13 | | | | | | |
| 14 | | | | | | |

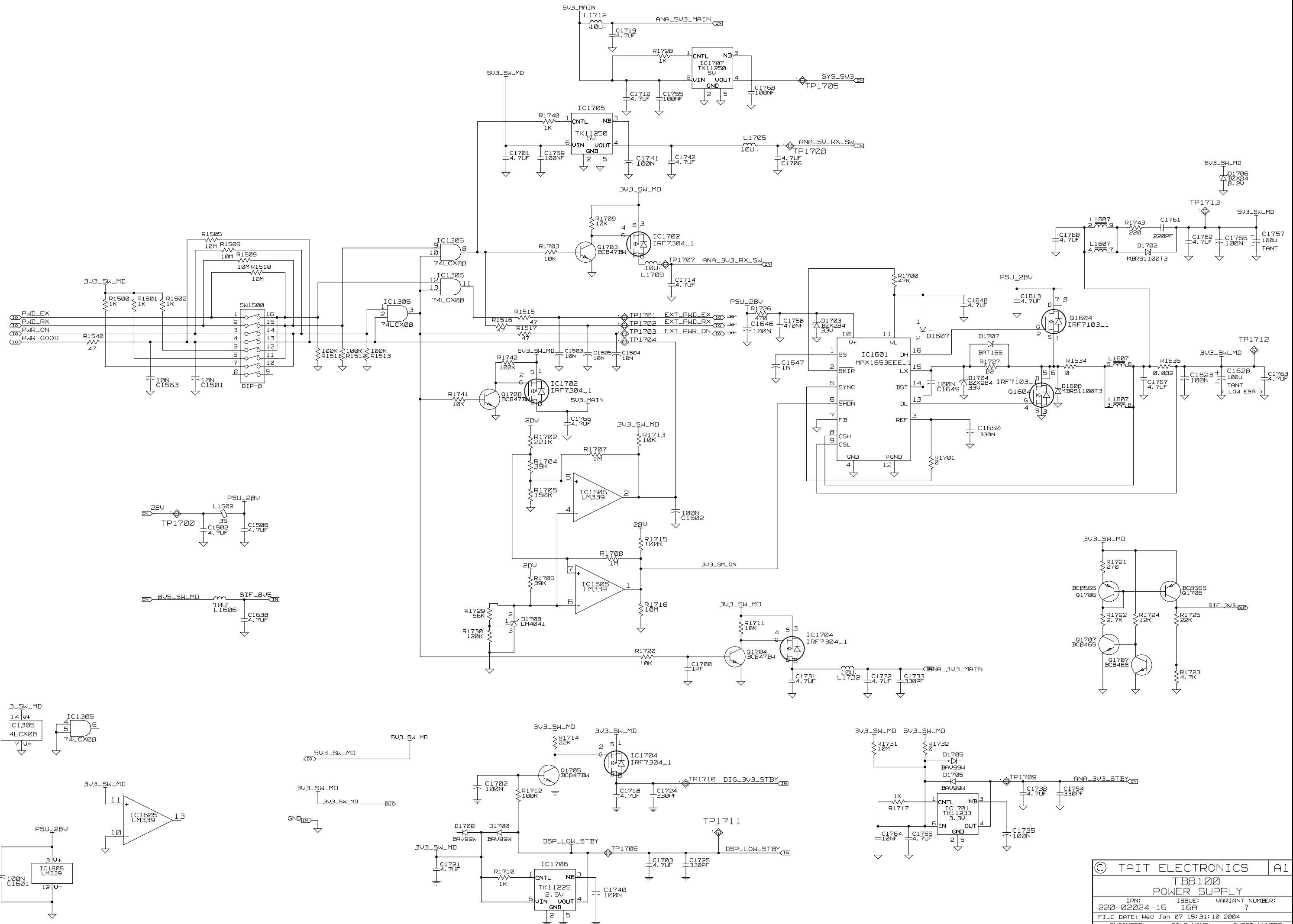
Created by Nevia Personal Converter trial version <http://www.nevia.com>



| | | |
|-------------------------------------|------------|-----------------|
| © TAIT ELECTRONICS | | A1 |
| TB8100 | | |
| LOGIC DESIGN | | |
| IPN: | ISSUE: | VARIANT NUMBER: |
| 220-02024-16 | 16A | ? |
| FILE DATE: Mon Jan 05 14:54:50 2004 | | |
| ENGINEER: | FILE NAME: | SHEET NUMBER: |
| ML | 220_02024 | 12 OF 18 |

| REV./ISS | AMENDMENTS | DRAWN | CHKD | D. O. | APVD | DATE |
|----------|------------|-------|------|-------|------|------|
| 1 | | | | | | |
| 2 | | | | | | |
| 3 | | | | | | |
| 4 | | | | | | |
| 5 | | | | | | |

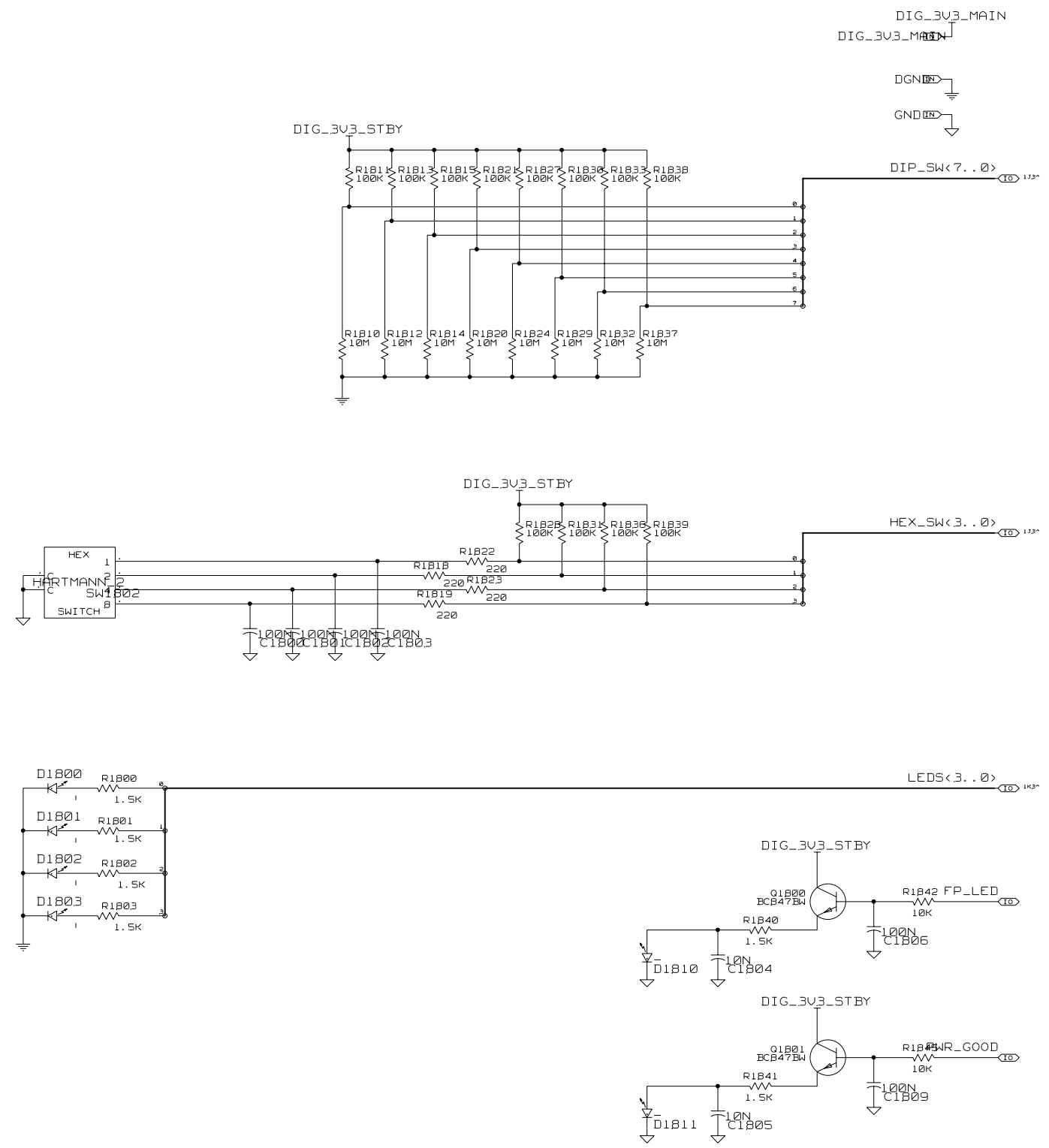
Created by Nevia Personal Converter trial version <http://www.nevia.com>



| | | |
|-------------------------------------|----------------------|------------------------|
| © TAIT ELECTRONICS | | A1 |
| T8B100 | | |
| POWER SUPPLY | | |
| IPN: 220-02024-16 | ISSUE: 16A | VARIANT NUMBER: ? |
| FILE DATE: Wed Jan 07 15:31:10 2004 | | |
| ENGINEER: ML | FILE NAME: 220_02024 | SHEET NUMBER: 13 OF 18 |

| REV./ISS | AMENDMENTS | DRAWN | CHKD | D.O. | APVD | DATE |
|----------|------------|-------|------|------|------|------|
| 1 | | | | | | |
| 2 | | | | | | |
| 3 | | | | | | |
| 4 | | | | | | |
| 5 | | | | | | |
| 6 | | | | | | |
| 7 | | | | | | |
| 8 | | | | | | |
| 9 | | | | | | |
| 10 | | | | | | |
| 11 | | | | | | |
| 12 | | | | | | |
| 13 | | | | | | |
| 14 | | | | | | |

Created by Nevia Personal Converter trial version <http://www.nevia.com>



| | | |
|-------------------------------------|-------------------------|---------------------------|
| © TAIT ELECTRONICS | | A1 |
| TB8100 CONFIGURATION | | |
| IPN: 220-02024-16 | ISSUE: 16A | VARIANT NUMBER: ? |
| FILE DATE: Wed Jan 07 15:19:38 2004 | | |
| ENGINEER: ML | FILE NAME: 220_02024 | SHEET NUMBER: 14 OF 18 |

| REV/ISS | AMENDMENTS | DRAWN | CHKD | D. O. | APVD | DATE |
|---------|------------|-------|------|-------|------|------|
| 1 | | | | | | |
| 2 | | | | | | |
| 3 | | | | | | |
| 4 | | | | | | |
| 5 | | | | | | |
| 6 | | | | | | |
| 7 | | | | | | |
| 8 | | | | | | |
| 9 | | | | | | |
| 10 | | | | | | |
| 11 | | | | | | |
| 12 | | | | | | |
| 13 | | | | | | |
| 14 | | | | | | |

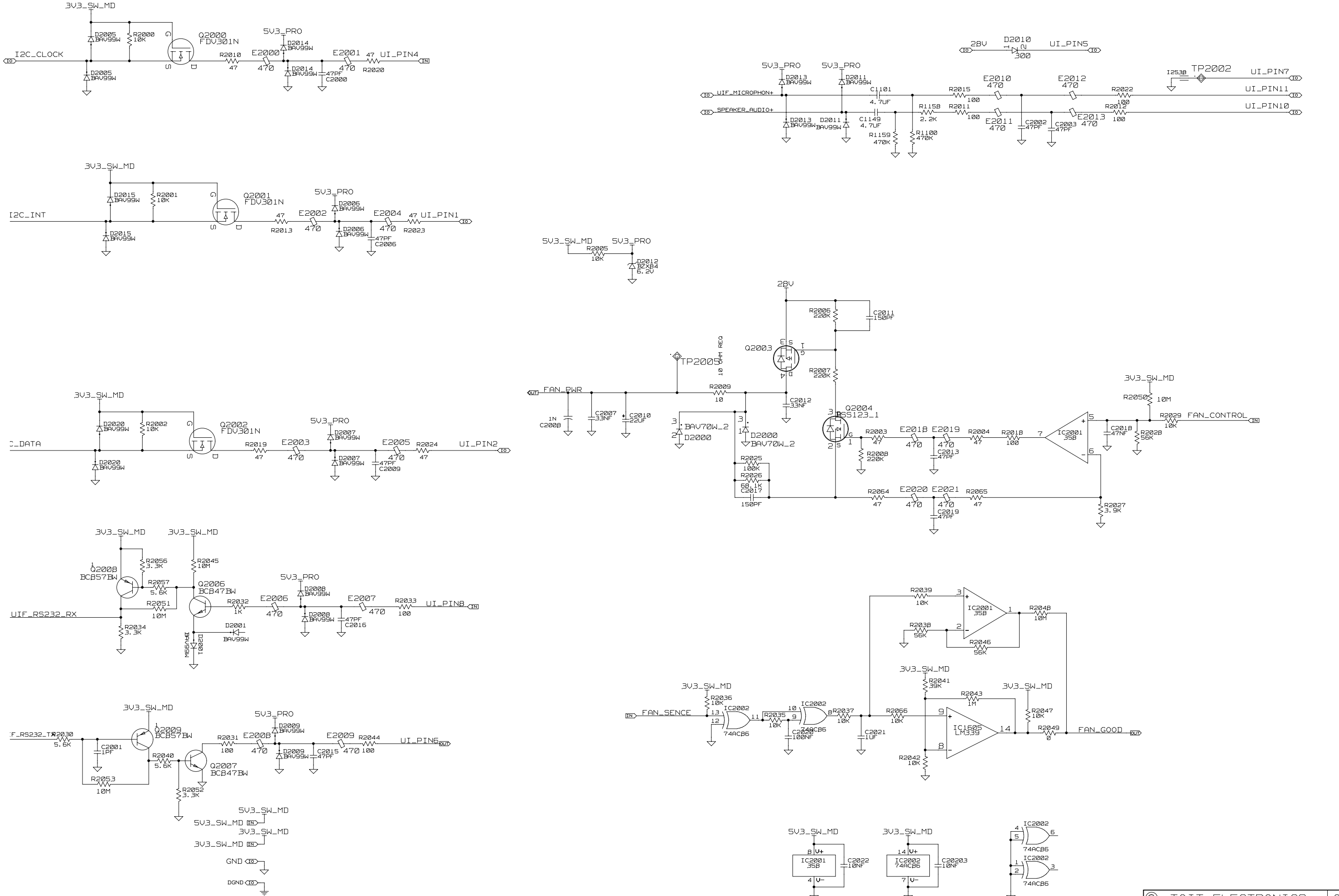
Created by Nevia Personal Converter trial version <http://www.nevia.com>



| | | |
|-------------------------------------|-------------------------|---------------------------|
| © TAIT ELECTRONICS | | A1 |
| TB8100 SYSTEM CONNECTOR | | |
| IPN: 220-02024-16 | ISSUE: 16A | VARIANT NUMBER: ? |
| FILE DATE: Mon Jan 05 14:54:57 2004 | | |
| ENGINEER: ML | FILE NAME: 220_02024 | SHEET NUMBER: 15 OF 18 |

| REV/ISS | AMENDMENTS | DRAWN | CHKD | D.O. | APVD | DATE |
|---------|------------|-------|------|------|------|------|
| 1 | | | | | | |
| 2 | | | | | | |
| 3 | | | | | | |
| 4 | | | | | | |
| 5 | | | | | | |
| 6 | | | | | | |
| 7 | | | | | | |
| 8 | | | | | | |
| 9 | | | | | | |
| 10 | | | | | | |
| 11 | | | | | | |
| 12 | | | | | | |
| 13 | | | | | | |
| 14 | | | | | | |

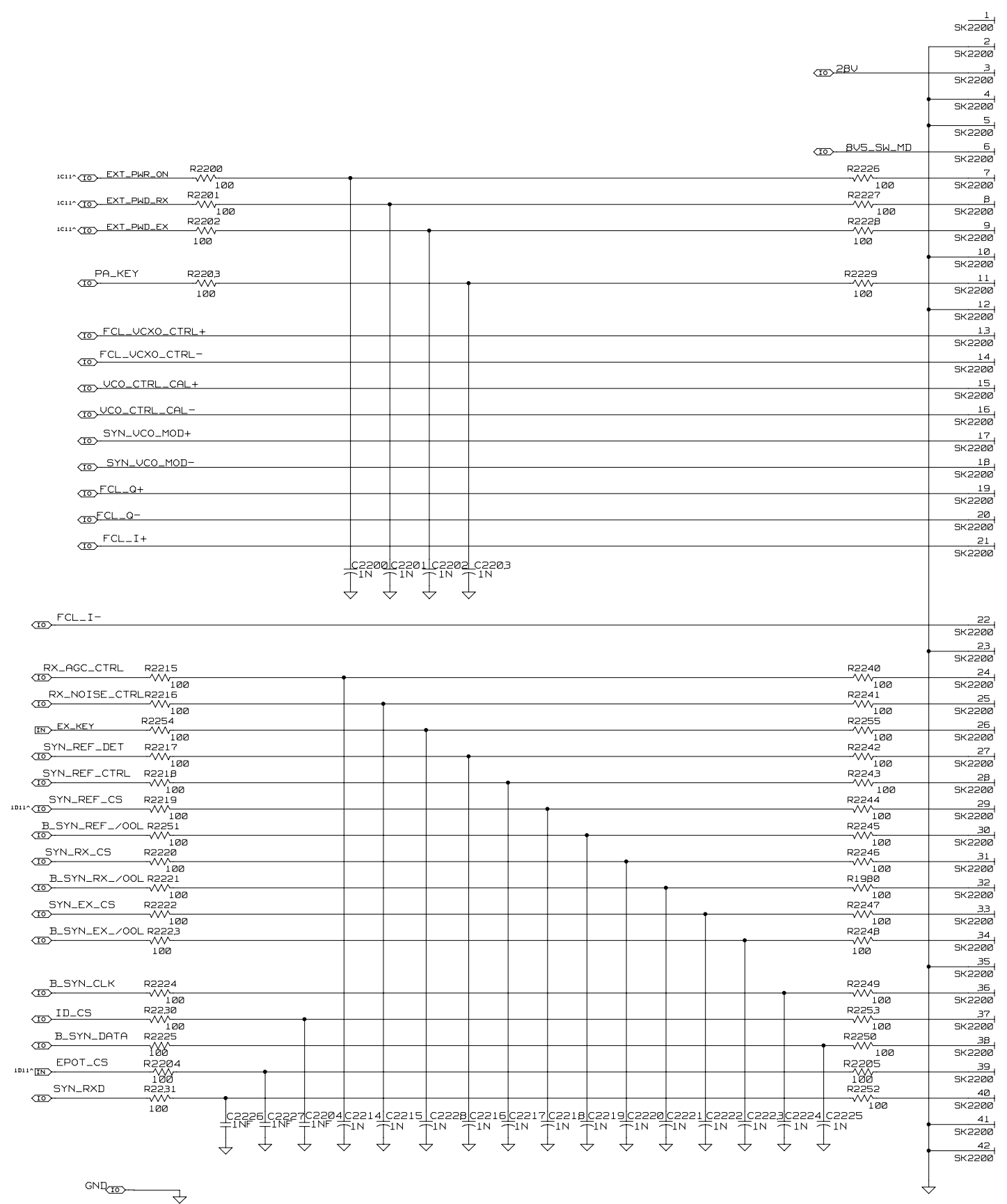
Created by Nevia Personal Converter trial version <http://www.nevia.com>



| | | |
|-------------------------------------|-------------------------|---------------------------|
| © TAIT ELECTRONICS | | A1 |
| TBS100 FILT | | |
| IPN: 220-02024-16 | ISSUE: 16A | VARIANT NUMBER: ? |
| FILE DATE: Wed Jan 07 15:31:11 2004 | | |
| ENGINEER: ML | FILE NAME: 220_02024 | SHEET NUMBER: 16 OF 18 |

| REV./ISS | AMENDMENTS | DRAWN | CHKD | D. O. | APVD | DATE |
|----------|------------|-------|------|-------|------|------|
| 1 | | | | | | |
| 2 | | | | | | |
| 3 | | | | | | |
| 4 | | | | | | |
| 5 | | | | | | |
| 6 | | | | | | |
| 7 | | | | | | |
| 8 | | | | | | |
| 9 | | | | | | |
| 10 | | | | | | |
| 11 | | | | | | |
| 12 | | | | | | |
| 13 | | | | | | |
| 14 | | | | | | |

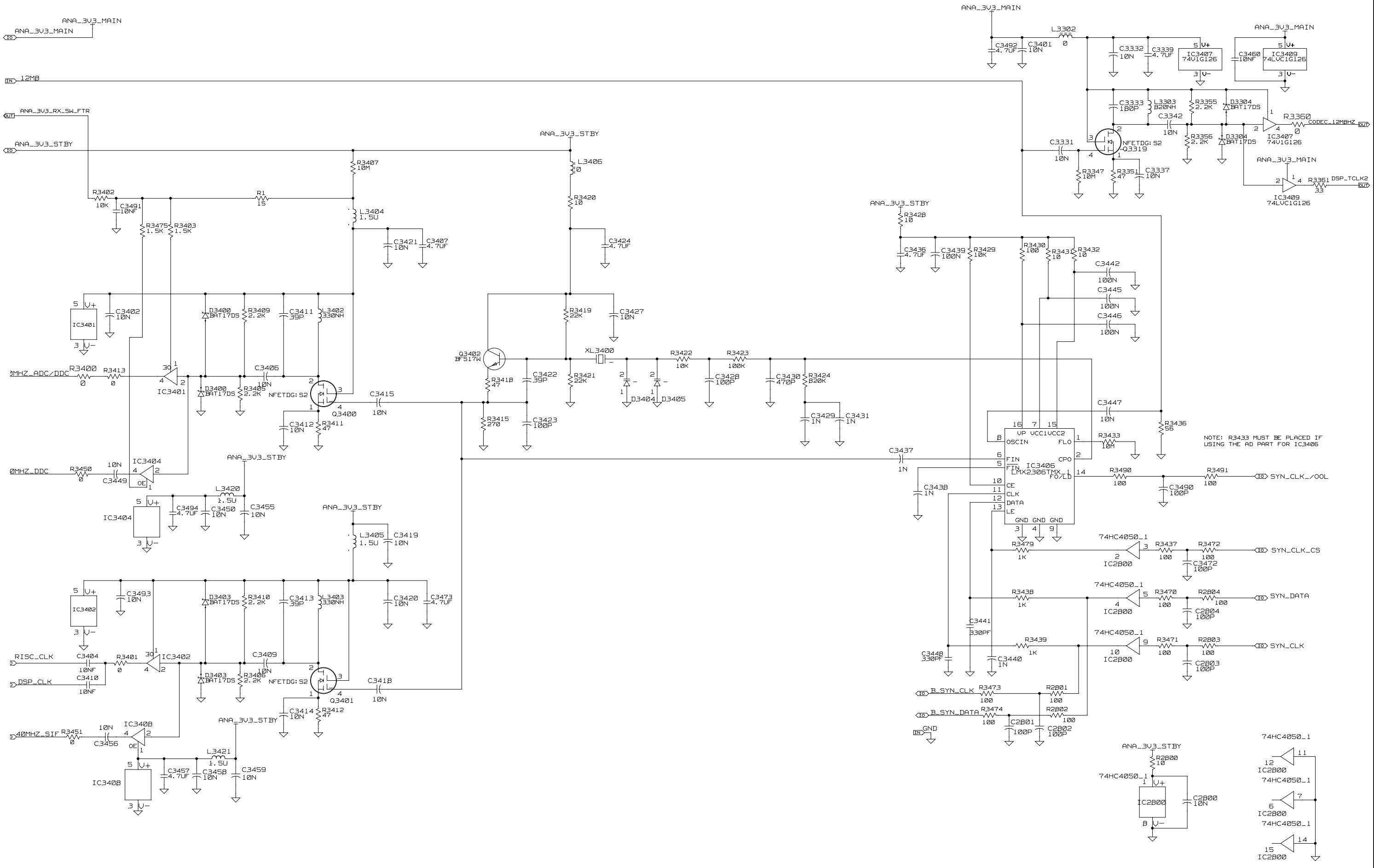
Created by Nevia Personal Converter trial version <http://www.nevia.com>



| | | | |
|-------------------------------------|-------------------------|---------------------------|----|
| © TAIT ELECTRONICS | | | A1 |
| TB8100 DIG_CONN | | | |
| IPN: 220-02024-16 | ISSUE: 16A | VARIANT NUMBER: ? | |
| FILE DATE: Mon Jan 05 14:55:03 2004 | | | |
| ENGINEER: ML | FILE NAME: 220_02024 | SHEET NUMBER: 17 OF 18 | |

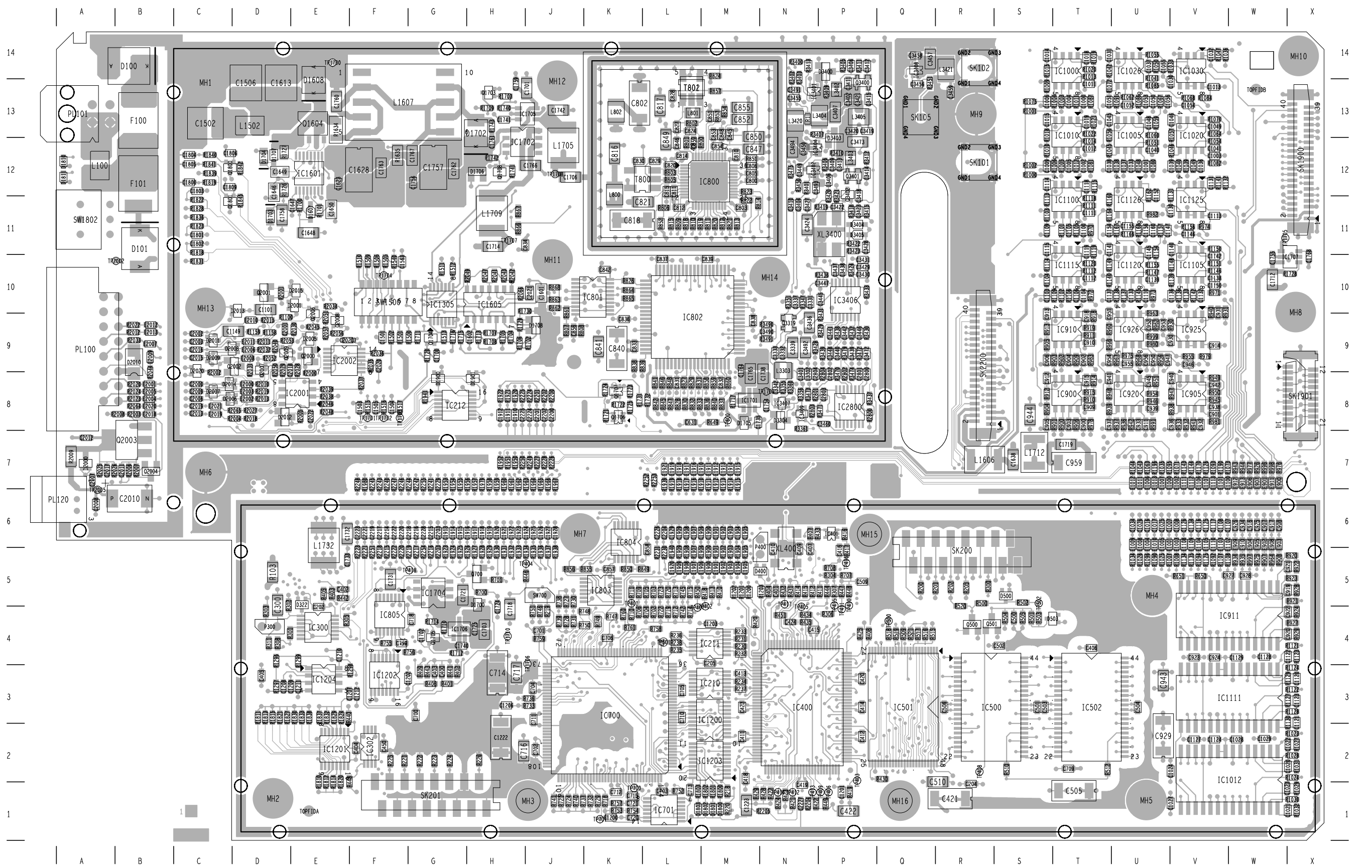
| REV./ISS | AMENDMENTS | DRAWN | CHKD | D. O. | APVD | DATE |
|----------|------------|-------|------|-------|------|------|
| 1 | | | | | | |
| 2 | | | | | | |
| 3 | | | | | | |
| 4 | | | | | | |
| 5 | | | | | | |
| 6 | | | | | | |
| 7 | | | | | | |
| 8 | | | | | | |
| 9 | | | | | | |
| 10 | | | | | | |
| 11 | | | | | | |
| 12 | | | | | | |
| 13 | | | | | | |
| 14 | | | | | | |

Created by Nevia Personal Converter trial version <http://www.nevia.com>

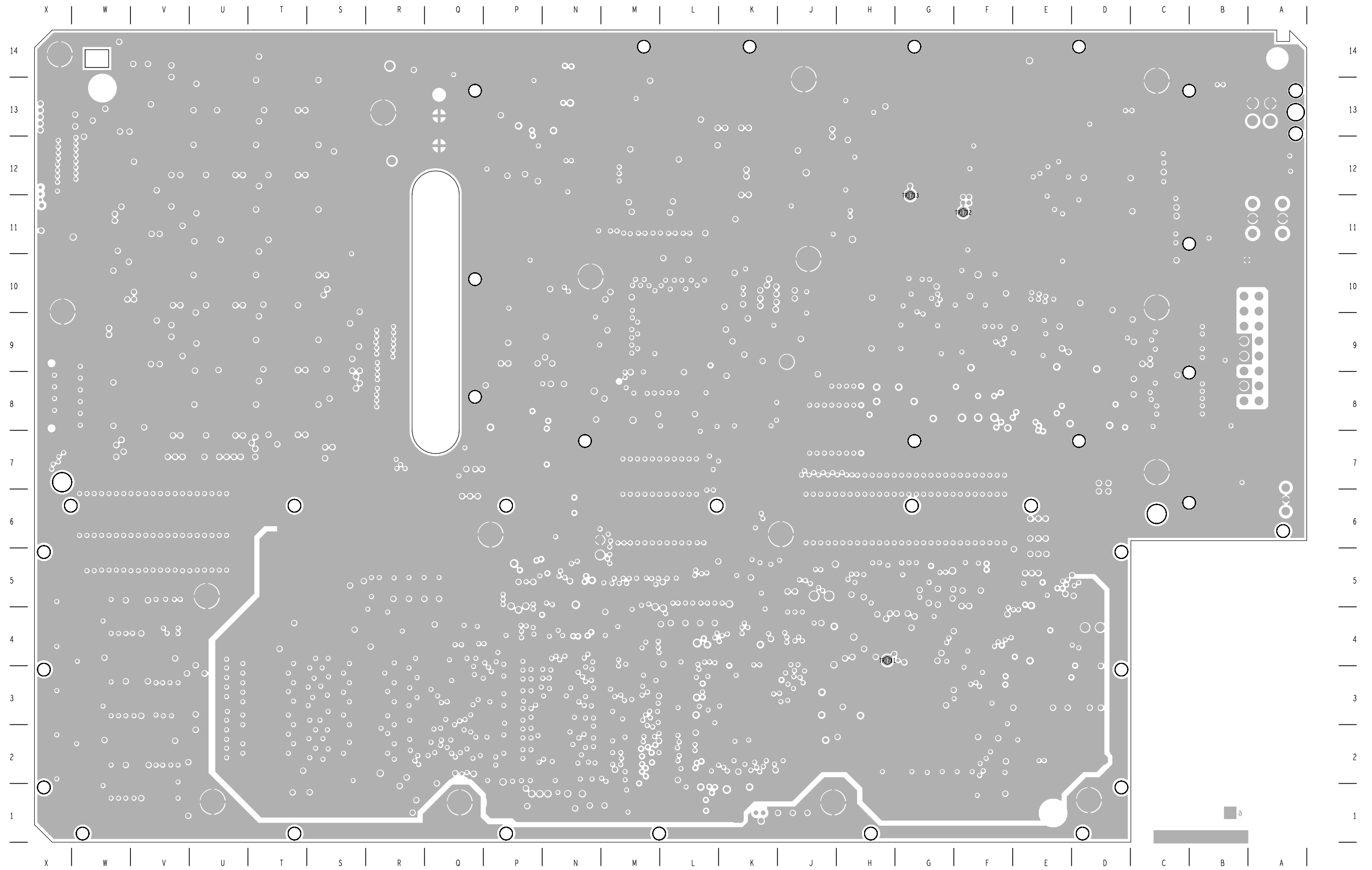


| | | |
|-------------------------------------|------------|-----------------|
| © TAIT ELECTRONICS | | A1 |
| T88100 | | |
| ANALOG CLOCK SYNTH | | |
| IPN: | ISSUE: | VARIANT NUMBER: |
| 220-02024-16 | 16A | ? |
| FILE DATE: Wed Jan 07 15:19:41 2004 | | |
| ENGINEER: | FILE NAME: | SHEET NUMBER: |
| ML | 220_02024 | 1B OF 1B |

| REV/ISS | AMENDMENTS | DRAWN | CHKD | D. O. | APVD | DATE |
|---------|------------|-------|------|-------|------|------|
| 1 | | | | | | |
| 2 | | | | | | |
| 3 | | | | | | |
| 4 | | | | | | |
| 5 | | | | | | |
| 6 | | | | | | |
| 7 | | | | | | |
| 8 | | | | | | |
| 9 | | | | | | |
| 10 | | | | | | |
| 11 | | | | | | |
| 12 | | | | | | |
| 13 | | | | | | |
| 14 | | | | | | |



TAIT ELECTRONICS IPN: 220-02024-16 ISS: DATE: SCALE:
 TB8100 Digital Reciter 220-02024-16 LAYOUT-PRIMARY-SIDE



| | | | | |
|---|----------------------|-----------|-----------------|---------------|
| TAIT ELECTRONICS | IPN: 220-02024-16 | ISS: A | DATE: 5Jan04 | SCALE: NTS |
| TB8100 Digital Reciter 220-02024-16 LAYOUT-SECONDARY-SIDE | | | | |